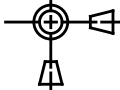
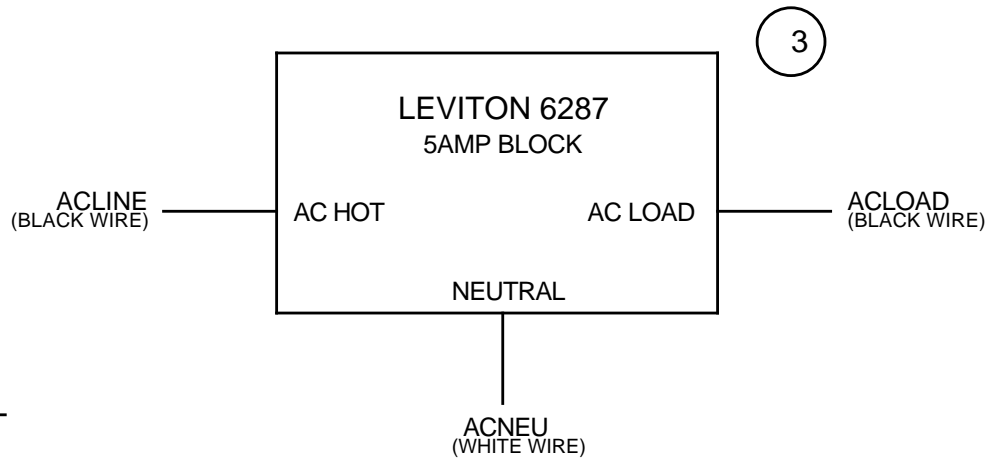


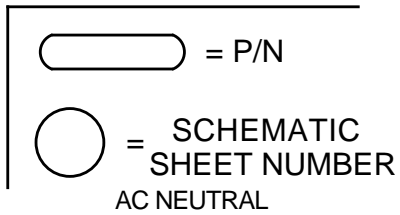
1	2	3	4	5	6	7	8				
A				REV	ZONE	ECN	DESCRIPTION OF REVISION	CK APPD DATE	ENG APPD DATE	A	
				A			6287 SCHEM RELEASE	12/23/2K3	12/23/2K3		
B	TABLE OF CONTENTS										
	Section	Page	Description								
	Contents	1	Cover Page								
C				Cover Page							
	D	DIMENSIONS ARE EXPRESSED IN MILLIMETERS X.X± _____ X.XX± _____ X.XXX± _____ ANGLES± _____ DO NOT SCALE DRAWINGS			METRIC		ORYSHNET SYSTEMS				
		 THIRD ANGLE PROJECTION		DRAFTER	DESIGN CK	NOTICE OF EDUCATIONAL INFORMATION THE INFORMATION CONTAINED HEREIN IS FOR EDUCATIONAL PURPOSES ONLY. ORYSHNET SYSTEMS IS NOT RESPONSIBLE FOR ANY USE OF THIS INFORMATION.					
		ENG APPD	MFG APPD	TITLE							
		QA APPD	DESIGNER	6287 WIRE-IN NOISE FILTER							
		RELEASE	SCALE NONE	DRAWING NUMBER			0001	REV. A			
		MATERIAL/FINISH NOTED AS APPLICABLE		SIZE A	SHT 1			OF 3			
1	2	3	4	5	6	7	8				

PCB VERSION SUPPORT

PART NUMBER	QTY	DESCRIPTION	ASSOCIATED REFERENCE DESIGNATORS	BOM OPTION
6287 PCB	1	PCB, 6287	PCB	\$PCB REV, A



LEGEND

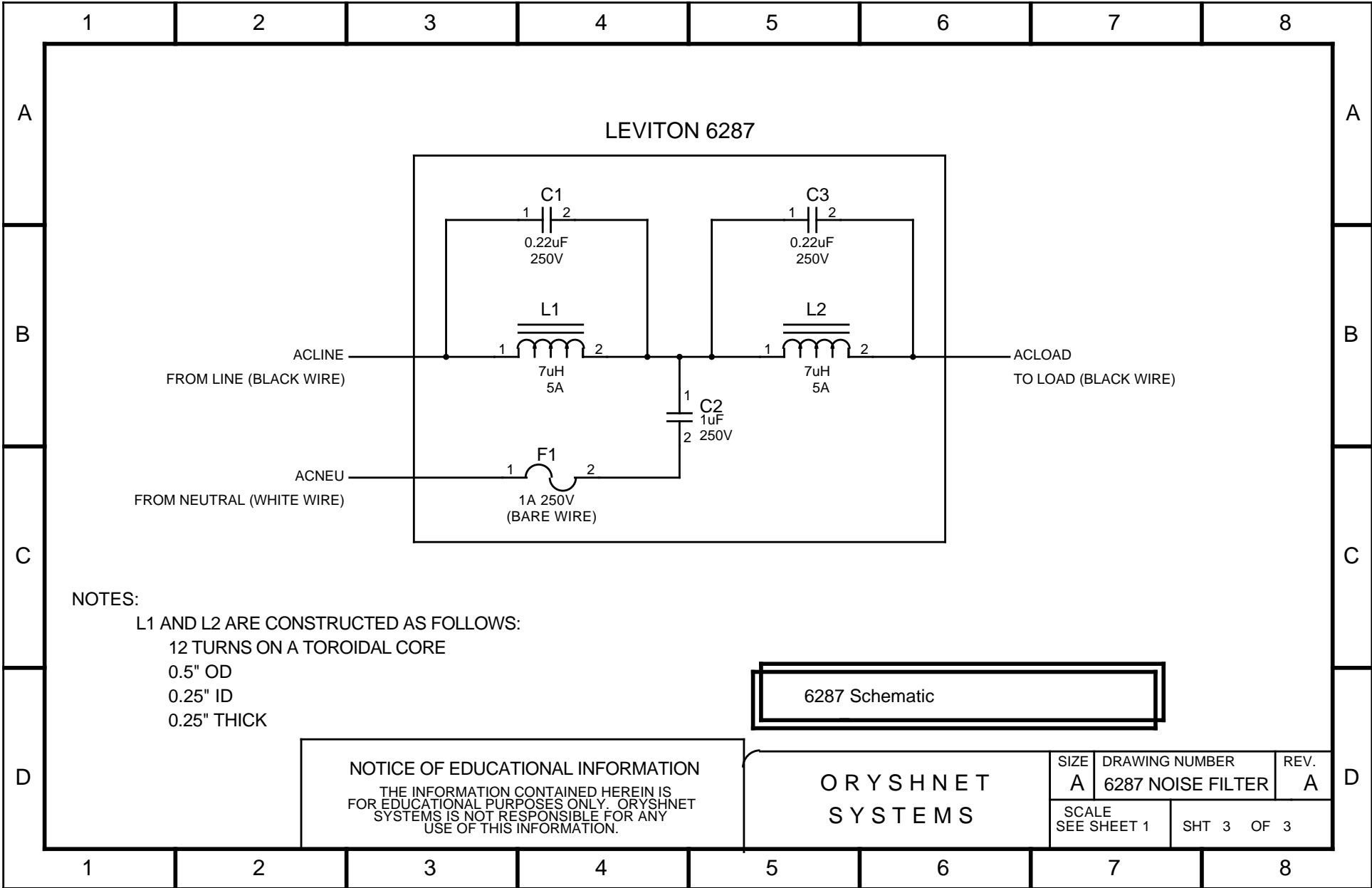


Block Diagram

NOTICE OF EDUCATIONAL INFORMATION
 THE INFORMATION CONTAINED HEREIN IS FOR EDUCATIONAL PURPOSES ONLY. ORYSHNET SYSTEMS IS NOT RESPONSIBLE FOR ANY USE OF THIS INFORMATION.

ORYSHNET
 SYSTEMS

SIZE A	DRAWING NUMBER 6287 NOISE FILTER	REV. A
SCALE SEE SHEET 1	SHT 2 OF 3	



NOTES:

L1 AND L2 ARE CONSTRUCTED AS FOLLOWS:
 12 TURNS ON A TOROIDAL CORE
 0.5" OD
 0.25" ID
 0.25" THICK

6287 Schematic

NOTICE OF EDUCATIONAL INFORMATION
 THE INFORMATION CONTAINED HEREIN IS FOR EDUCATIONAL PURPOSES ONLY. ORYSHNET SYSTEMS IS NOT RESPONSIBLE FOR ANY USE OF THIS INFORMATION.

**ORYSHNET
 SYSTEMS**

SIZE	DRAWING NUMBER	REV.
A	6287 NOISE FILTER	A
SCALE		SHT 3 OF 3
SEE SHEET 1		

6287 vA BOM.xls

Job: 6287.bom

Date: 103/12/24 - Time: 10:29:31

Item#	Qty	Part#	Device Type	Description	Value	Voltage	Ref. Designators
STUFF List:							
1	2	7UH IND	IND-7UH	IND, 7UH, 5A	7uH		L1,L2
2	2	0.22UF CAP	CAP-NP	CAPACITOR, NON-POLARIZED,	0.22uF	250V	C1,C3
3	1	1A FUSE	FUSE	FUSE,	1A 250V		F1
4	1	1UF CAP	CAP-NP-V	CAPACITOR, NON-POLARIZED,	1uF	250V	C2
5	1	6287 PCB	ASSOC-PARTS-BO	PCB, 6287			PCB

NO STUFF List:

NOTE: FOLLOWING AREA PROVIDED FOR REFERENCE ONLY

The Bom Options used to generate this list were:

PCB REV, A

The bom options that were copied to this file were: