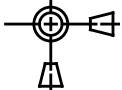
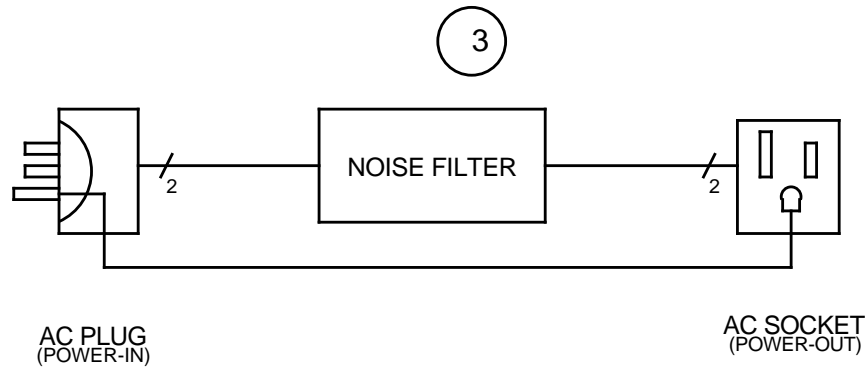


1	2	3	4	5	6	7	8					
A				REV	ZONE	ECN	DESCRIPTION OF REVISION	CK APPD DATE	ENG APPD DATE	A		
				A			6288 SCHEM RELEASE	5/1/2K3	5/1/2K3			
B	TABLE OF CONTENTS											
	Section	Page	Description									
	Contents	1	Cover Page									
C				Cover Page								
	D	DIMENSIONS ARE EXPRESSED IN MILLIMETERS X.X± _____ X.XX± _____ X.XXX± _____ ANGLES± _____ DO NOT SCALE DRAWINGS		METRIC DRAFTER <input checked="" type="checkbox"/> DESIGN CK <input checked="" type="checkbox"/> ENG APPD <input checked="" type="checkbox"/> MFG APPD <input checked="" type="checkbox"/> QA APPD <input checked="" type="checkbox"/> DESIGNER <input checked="" type="checkbox"/> RELEASE <input checked="" type="checkbox"/> SCALE NONE		ORYSHNET SYSTEMS NOTICE OF EDUCATIONAL INFORMATION THE INFORMATION CONTAINED HEREIN IS FOR EDUCATIONAL PURPOSES ONLY. ORYSHNET SYSTEMS IS NOT RESPONSIBLE FOR ANY USE OF THIS INFORMATION.					TITLE 6288 X-10 PLUG-IN NOISE FILTER	
		 THIRD ANGLE PROJECTION		MATERIAL/FINISH NOTED AS APPLICABLE		SIZE A	DRAWING NUMBER 0001			REV. A SHT 1 OF 3		
1		2	3	4	5	6	7	8				

PCB VERSION SUPPORT

PART NUMBER	QTY	DESCRIPTION	ASSOCIATED REFERENCE DESIGNATORS	BOM OPTION
6288 PCB	1	PCB, 6288	PCB	\$PCB REV, A



LEGEND

= P/N

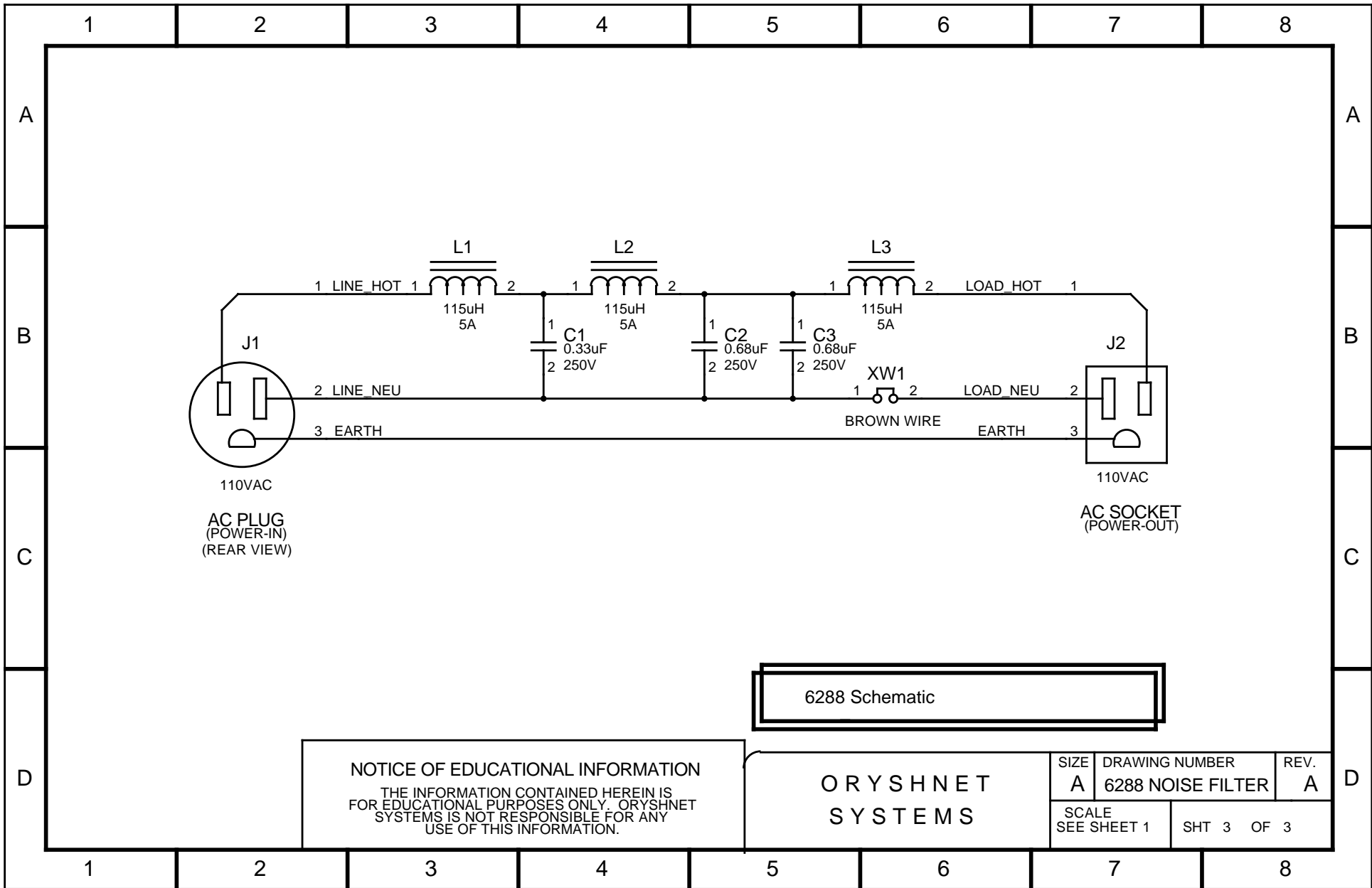
= SCHEMATIC SHEET NUMBER
AC NEUTRAL

Block Diagram

NOTICE OF EDUCATIONAL INFORMATION
THE INFORMATION CONTAINED HEREIN IS FOR EDUCATIONAL PURPOSES ONLY. ORYSHNET SYSTEMS IS NOT RESPONSIBLE FOR ANY USE OF THIS INFORMATION.

ORYSHNET SYSTEMS

SIZE A	DRAWING NUMBER 6288 NOISE FILTER	REV. A
SCALE SEE SHEET 1	SHT 2 OF 3	



6288 Schematic

NOTICE OF EDUCATIONAL INFORMATION
 THE INFORMATION CONTAINED HEREIN IS
 FOR EDUCATIONAL PURPOSES ONLY. ORYSHNET
 SYSTEMS IS NOT RESPONSIBLE FOR ANY
 USE OF THIS INFORMATION.

ORYSHNET
 SYSTEMS

SIZE	DRAWING NUMBER	REV.
A	6288 NOISE FILTER	A
SCALE	SHT 3 OF 3	
SEE SHEET 1		

6288 vA BOM.xls

Job: 6288.bom

Date: 103/12/24 - Time: 13:23:49

Item#	Qty	Part#	Device Type	Description	Value	Voltage	Ref. Designators
STUFF List:							
1	1	110VAC PLUG	110VAC_PLUG	CONN, 3 PIN 110VAC PLUG, MOLDED		110VAC	J1
2	1	110VAC SOCKET	110VAC_SCKT	CONN, 3 PIN 110VAC SOCKET, MOLDED		110VAC	J2
3	3	115UH IND	INDUCTOR	INDUCTOR, 115UH, 5A	115uH		L1,L2,L3
4	1	330NF250V	CAP-NP-V	CAPACITOR, NON-POLARIZED,	0.33uF	250V	C1
5	1	6288 PCB	ASSOC-PARTS-BO	PCB, 6288			PCB
6	2	680NF250V	CAP-NP-V	CAPACITOR, NON-POLARIZED,	0.68uF	250V	C2,C3

NO STUFF List:

NOTE: FOLLOWING AREA PROVIDED FOR REFERENCE ONLY

The Bom Options used to generate this list were:

PCB REV, A

The bom options that were copied to this file were: