

1 2 3 4 5 6 7 8

A

REV	ZONE	ECN	DESCRIPTION OF REVISION	CK APPD DATE	ENG APPD DATE
A			6289 SCHEM RELEASE	6/12/2K4	6/12/2K4

A

TABLE OF CONTENTS

Section	Page	Description
Contents	1	Cover Page
Technical	2	Technical Block Diagram
	3	6289 Schematic

B

B

Cover Page

C

C

DIMENSIONS ARE EXPRESSED  
IN MILLIMETERS

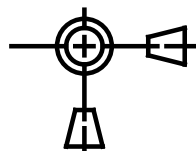
X.X± \_\_\_\_\_

X.XX± \_\_\_\_\_

X.XXX± \_\_\_\_\_

ANGLES± \_\_\_\_\_

DO NOT SCALE DRAWINGS



THIRD ANGLE PROJECTION

METRIC

DRAFTER	/	DESIGN CK	/
ENG APPD	/	MFG APPD	/
QA APPD	/	DESIGNER	/
RELEASE	/	SCALE	NONE

ORYSHNET SYSTEMS

NOTICE OF EDUCATIONAL INFORMATION  
THE INFORMATION CONTAINED HEREIN IS  
FOR EDUCATIONAL PURPOSES ONLY. ORYSHNET  
SYSTEMS IS NOT RESPONSIBLE FOR ANY  
USE OF THIS INFORMATION.

TITLE

6289 IN-LINE NOISE REDUCER

MATERIAL/FINISH  
NOTED AS  
APPLICABLE

SIZE  
A

DRAWING NUMBER 0001

REV. A

SHT 1 OF 3

D

D

1 2 3 4 5 6 7 8

1 2 3 4 5 6 7 8

A

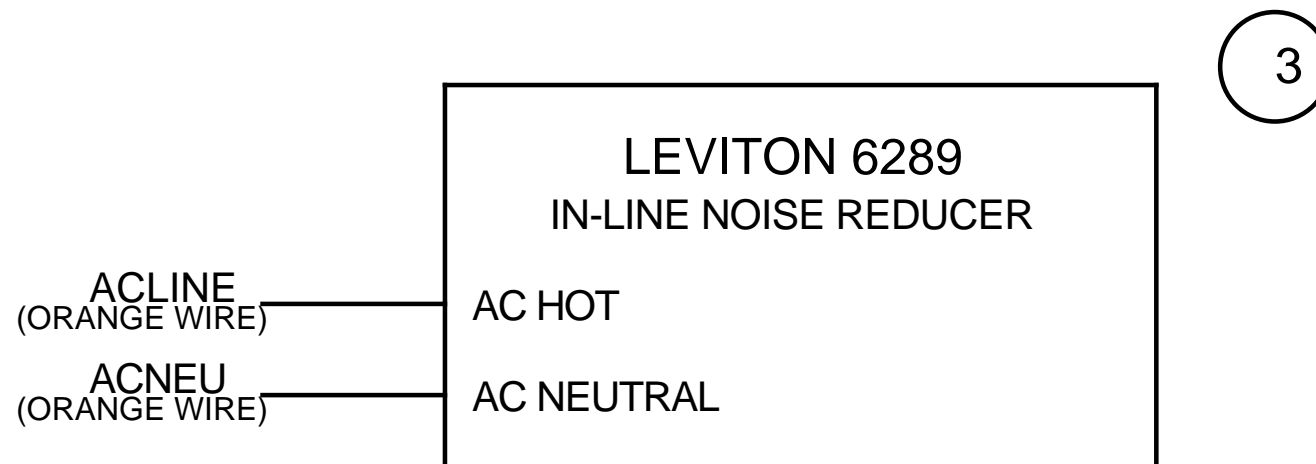
A

### PCB VERSION SUPPORT

PART NUMBER	QTY	DESCRIPTION	ASSOCIATED REFERENCE DESIGNATORS	BOM OPTION
6289 PCB	1	PCB, 6289	PCB1	\$PCB REV, A

B


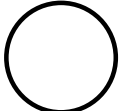
B



C

C

### LEGEND

-  = P/N
-  = SCHEMATIC SHEET NUMBER
- AC NEUTRAL

Block Diagram

D

D

### NOTICE OF EDUCATIONAL INFORMATION

THE INFORMATION CONTAINED HEREIN IS FOR EDUCATIONAL PURPOSES ONLY. ORYSHNET SYSTEMS IS NOT RESPONSIBLE FOR ANY USE OF THIS INFORMATION.

ORYSHNET  
SYSTEMS

SIZE A	DRAWING NUMBER 6289 IN-LINE NR	REV. A
SCALE SEE SHEET 1		SHT 2 OF 3

1 2 3 4 5 6 7 8

1 2 3 4 5 6 7 8

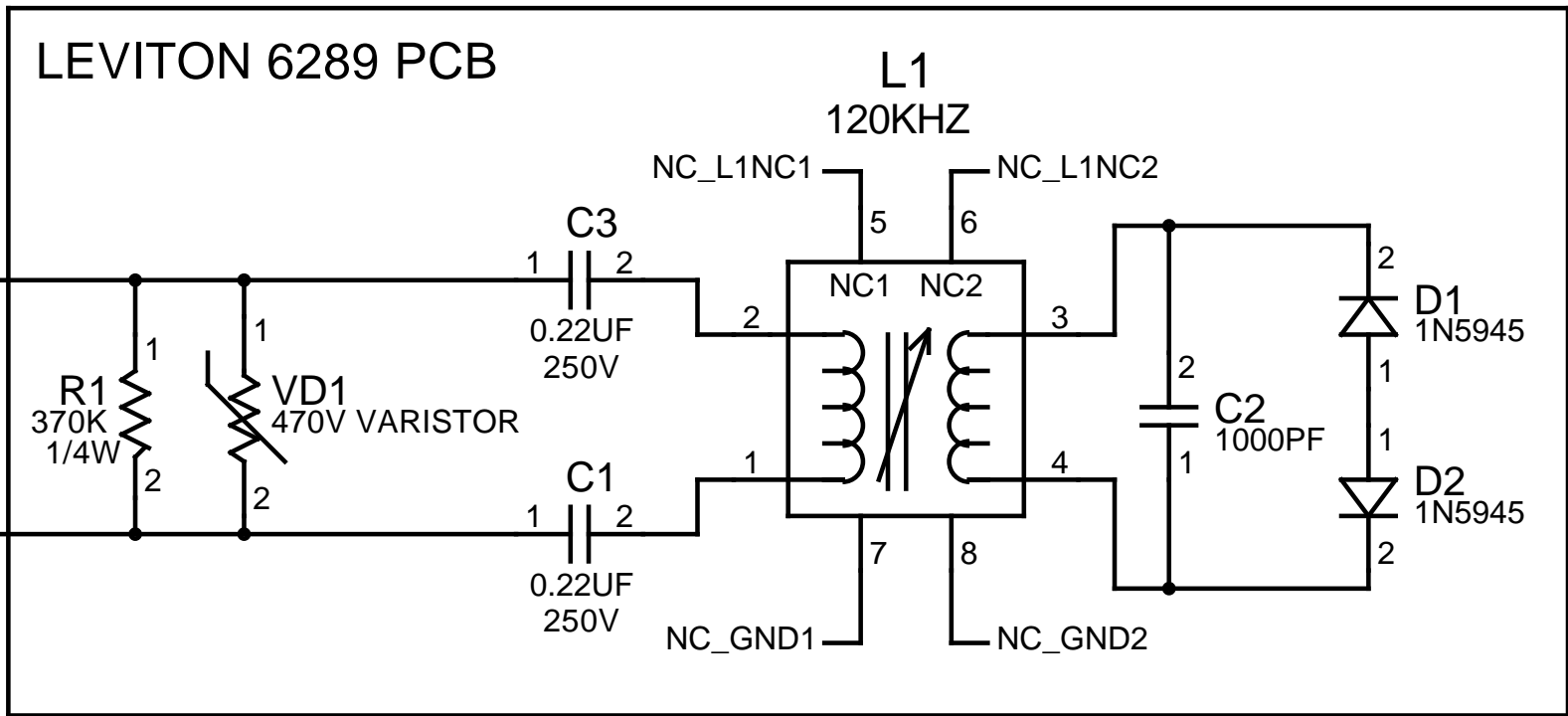
A A

B B

C C

D D

1 2 3 4 5 6 7 8



6289 Schematic

NOTICE OF EDUCATIONAL INFORMATION  
 THE INFORMATION CONTAINED HEREIN IS FOR EDUCATIONAL PURPOSES ONLY. ORYSHNET SYSTEMS IS NOT RESPONSIBLE FOR ANY USE OF THIS INFORMATION.

ORYSHNET  
 SYSTEMS

SIZE A	DRAWING NUMBER 6289 IN-LINE NR	REV. A
SCALE SEE SHEET 1	SHT 3 OF 3	

# 6289 vA BOM.xls

Date: 104/6/13 - Time: 20:40:58

Item#	Qty	Part#	Device Type	Description	Value	Voltage	Wattage	Tolerance	Mfg	Mfg PN	Ref. Designators
STUFF List:											
1	2	0.22UF CAP	CAP-NP	CAPACITOR, NON-POLARIZED,	0.22uF	250V					C1,C3
2	1	6289 PCB	ASSOC-PARTS-BO	PCB, 6289							PCB1
3	1	CAP-1000PF	CAP-NP-V	CAPACITOR, NON-POLARIZED,	1000PF						C2
4	2	DIODE-1N4148	DIODE-V	DIODE,	1N5945						D1,D2
5	1	MOV-145V	VARISTOR-MO-V	VARISTOR,	470V VARISTOR						VD1
6	1	PN-IND-VAR-2P-X10	IND-VAR-2P-X10	IND, X10 TUNEABLE RF COIL							L1
7	1	RES-370K-1/4W	RES-V	RESISTOR,	370K		1/4W				R1

NO STUFF List:

NOTE: FOLLOWING AREA PROVIDED FOR REFERENCE ONLY

The Bom Options used to generate this list were:

PCB REV, A

The bom options that were copied to this file were: